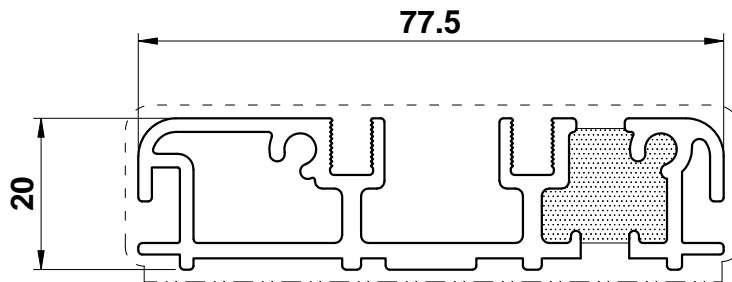


Primary Visible Side

Secondary Visible Side

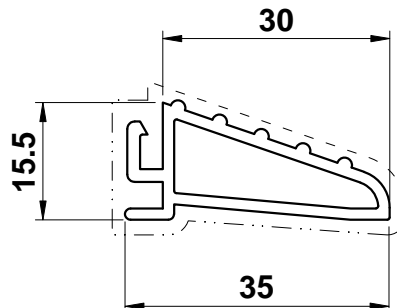
### DV173\*



End Cap = ACDV173

**\*DV173 is non-rebated. Please use rebated threshold where enhanced weather performance is required.**

### DV174



Scale 1:1